



Instruction Manual

HOUSEMAID

10 Litre Plastic Dry Vacuum Cleaner



Models:

- **VC10LP – with Cloth Filter only**
- **VC10LPH – with HEPA Filter & Disposable Dust Bag**

- **Please read this Instruction Manual carefully and follow all guidelines before using this vacuum.**
- **Please keep this Manual for future reference.**

CONTENTS

Safety Guidelines	3
Machine Information	4
Technical Specifications	4
Parts Breakdown	4
Accessories	5
Before You Begin	6
How To Operate The Machine	7
Special Attention	8
Maintenance	9
Conditions of Warranty	10-11

Safety Guidelines:

Please read this manual and follow all guidelines carefully before using this vacuum.

WARNING: Failure to follow these instructions could result in improper use of this product. Damage caused as a result of improper use will void the warranty.

DO NOT operate this machine around explosive equipment.

DO NOT attempt to repair machine without disconnecting from a power source first.

DO NOT operate machine if the power cable is damaged.

DO NOT attempt to repair this machine by yourself. Please send to an authorised vacuum repairer.

DO NOT expose machine electrical components to water or moisture. Keep the electrical components of machine dry. Wipe the machine down after each use. For storage, keep the machine in a dry area.

The main function of this machine is dry dust ingestion, do not vacuum water. Water ingestion will severely damage the motor, and additionally poses a severe risk of electric shock.

This appliance is not intended for use by persons (including children) with reduced physical, sensory or mental capabilities, or lack of experience and knowledge, unless they have been given supervision or instruction concerning use of the appliance by a person responsible for their safety. Children should be supervised to ensure that they do not play with the appliance.

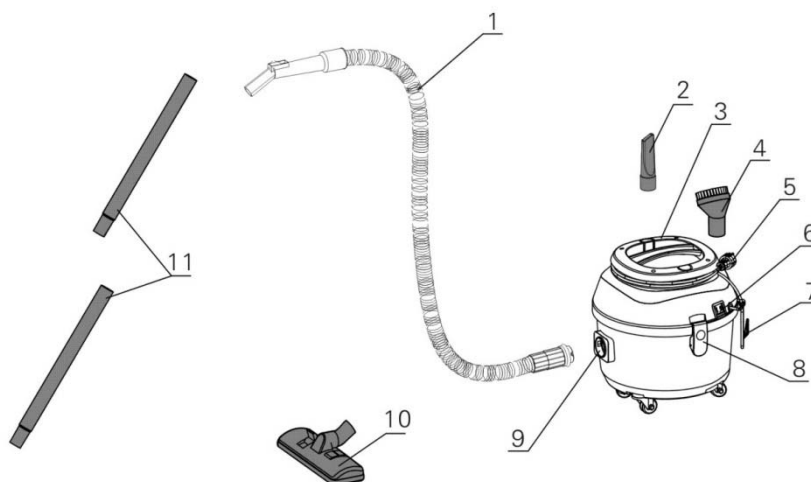
Machine Information:

The 'Housemaid' is a stylish machine with great performance, its unique wheel configuration (two are active wheels, the other two are stable) allows for maximised mobility. With Unique Static Technology, the machine operates at a very quiet 59dB. Ideal for Hotels, Schools, Resorts and other large commercial settings. We hope you enjoy your new machine.

Technical Specifications:

Model/s	VC10LP / VC10LPH
Voltage(V)	220V – 240V
Frequency(Hz)	50/60Hz
Power(W)	1200W
Tank capacity	10L
Max. vacuum	25kPa
Air flow Rate	35L/S
Weight	Approx. 6.8kg
Cable length	10m
Noise Level	59dB(A)

Parts Breakdown:



1	Vacuum Hose	7	Cord Restraint
2	Crevice Nozzle	8	Lid Clips
3	Handle	9	Air Inlet
4	Adjustable Dusting Brush	10	Combination Floor Tool
5	Power Cord	11	Stainless Steel Extension Rods
6	On/Off Switch		

Accessories:

Combination Floor Tool

A Combination Floor Tool for use on Carpets and Hard floors, it is an all-purpose tool.

When you press the button, as shown, the tool is suitable for carpet use. The smooth metal bottom is strong and durable, which makes operation easy and comfortable, and the suction efficiency is better.



When you press the button, as shown, the brush strips extend. In this mode, it becomes suitable for floor, tile and other hard floor surfaces.



Crevice Nozzle

Perfect for corner and gap cleaning.



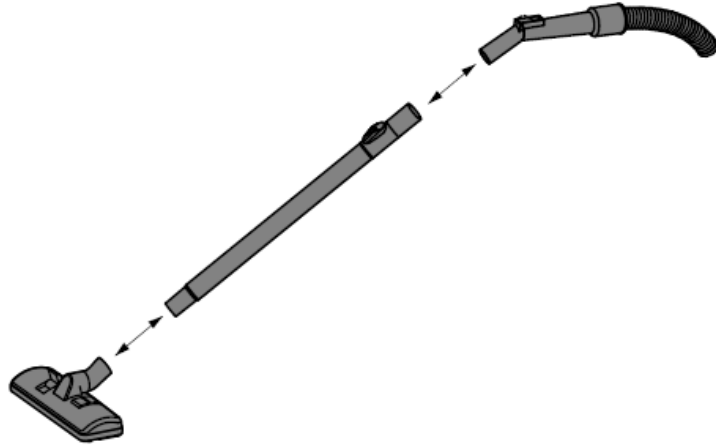
Small Round Dusting Brush

Made for cleaning sofas, wall corners and other delicate furnishings.

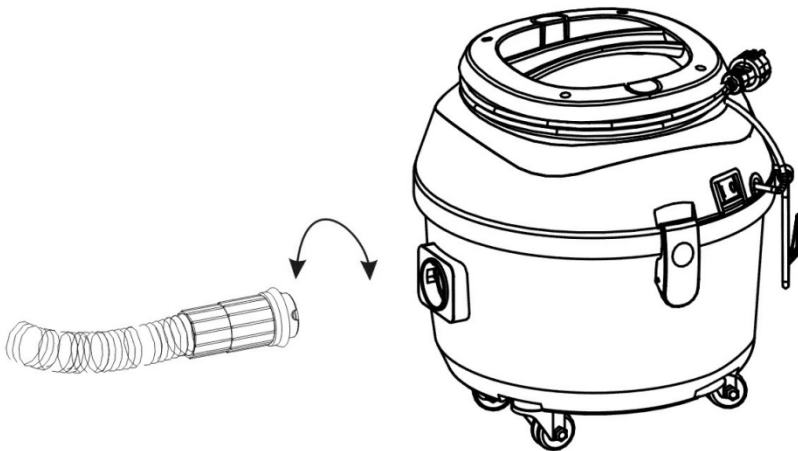


Before You Begin...

1. Before you connect the machine plug to power outlet, check whether the power you use is the same as the machine nameplate shows.
2. Insert floor brush into stainless steel rod, connect the other end to the handle.



3. Insert the machine end of hose into the machine air inlet, and turn clockwise to lock it. To remove the hose, turn the hose anticlockwise and the hose will release.



How To Operate The Machine:

1. Please remove all accessories from the box and ensure they are there.
2. Please connect accessories to on-board storage. Check the Cloth Bag Filter has been installed inside the machine.

NOTE: HEPA Filter Model – Ensure the HEPA filter is correctly fitted and locked into position. It is also important to ensure the mesh outer cover is fitted around the HEPA filter. If you wish to use a disposable vac bag, make sure it is correctly fitted (use Starbag code AF927S, AF927C or CB927).

3. Confirm that the top half and bottom half of the machine have been locked into place securely using the latches on the side, and ensure the cord restraint holds the cord properly.
4. Switch is on one side of the machine, press “on” to start the machine, while press “off” to turn off the machine.



Please Note:

If suction power has decreased during use, please check the following and clean, empty or replace as appropriate:

- Hose blockages
- HEPA filter
- Cloth filter
- Disposable vac bag

If you use the machine whilst blocked for a long time, you may damage the motor.

5. There is an adjustment switch on the hose handle. This switch is used to adjust the suction power.



6. The machine handle has different functions: firstly, it is a handle, you can use it to move/lift the machine; secondly, it is an accessory holder, you can put the small round brush, crevice nozzle in their designated areas; thirdly, it is a holder for the cable, when finished vacuuming, you can wind the cord on the handle directly.

Special Attention:

Please maintain and take care of your new Cleanstar Housemaid vacuum cleaner. This will not only ensure a long and healthy productive life, but also make operating this machine much more comfortable.

1. This machine is not suitable for vacuuming building powder, such as cement, talcum powder and other kinds of extremely small powder, which will severely block the filter. A blockage will increase the motor temperature rapidly, which decreases machine longevity and **voids warranty**.
2. Do not vacuum lit cigarettes or flammable items such as petrol, thinner, etc.
3. This machine is equipped with an Automatic Motor Protection System. When the filter system or the hose are severely blocked, the system will cut off the power automatically. After the motor has had approximately 30 minutes to cool down, it should operate normally. In the interim, please check for blockages.
4. Do not block the air vent on the side of the machine. During vacuuming, hot air will come out of the vent, this is to cool the motor and is completely normal.
5. Please remove plug after cleaning and during machine repair.
6. To ensure hose longevity, please do not bend it, step on it, or treat in a harsh manner.
7. To ensure life of machine please do not store in areas that are particularly hot (e.g. next to an oven, etc), this could result in deformity of machine body.
8. Please pack cable away properly after each use by winding around machine handle and store accessories on board. This will ensure nothing gets lost/damaged.
9. Do not wash the machine head (electronic parts) with water, if there is dirt, please just wipe with wet cloth, then clean with dry cloth. After cleaning, make sure all parts are completely dry before re-using.



Danger:

DO NOT use the machine if cable is damaged. Have cable replaced.

This machine is just for inside use only. DO NOT use this machine in the rain or outside.

Note:

1. **Do not clean the machine body with water directly**
2. **Do not use benzene or thinner to wipe the machine body, this will deform the plastic body and change its colour!**
3. **Do not wash the filter in a washing machine, or dry the filter with a dryer or any other kind of blower**

Maintenance:

How to Change the Vacuum Bag (*applies to VC10LPH model only*)

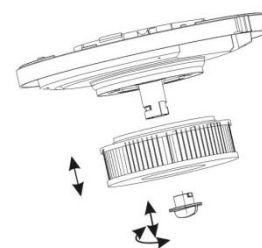
1. Unlock the lid clips on both side of the machine
2. Take off the machine head.
3. Remove vacuum bag and dispose of appropriately.
4. Replace with new vacuum bag.
5. Replace machine head and lock into place with clips.

Note: The VC10LPH model uses Starbag AF927S, AF927C or CB927.

How to Change the HEPA Filter

1. Unlatch the clips and remove the machine head component.
2. Remove the mesh filter cover around the HEPA filter.
3. Underneath the HEPA filter is a locking screw. Rotate this screw and the HEPA filter will detach.
4. If you wish to clean the HEPA filter and mesh filter cover, you can place them under running water.

***** SAFETY NOTE:** *Make sure both the HEPA filter and mesh filter cover are completely dry before replacing and re-using the machine. Any moisture on these items that are sucked into the motor will damage the machine and could also cause an electrical shock. Alternatively, you can blow out the dust using a compressed air device.*



Cleaning the Cloth Filter

1. Unlatch the clips and remove the machine head component.
2. Remove the Cloth Filter.
3. Using a compressed air device, blow out the dust from the filter.
4. You can also gently tap the filter frame to help loosen the dust.



Cleanstar Pty Ltd

ABN: 51 121 002 104 ACN: 121 002 104

59 Radford Road, Reservoir VICTORIA 3073

Phone: (03) 9460 5655 Fax: (03) 9460 5666

Email: sales@cleanstar.com.au Web: www.cleanstar.com.au

CONDITIONS OF WARRANTY

This document outlines the terms and conditions of warranty for your Cleanstar Product. This is an important document that should be kept with your proof of purchase documents in a safe place for future reference should you require service for your product.

Thank you for purchasing your new Cleanstar Housemaid Vacuum Cleaner. We are confident this product will give you trouble-free use and excellent service, provided the operator uses and maintains the product in accordance with the Instruction Manual. Please read the Instruction Manual carefully before using the product for correct operation and maintenance procedures, and store it in a safe place for future reference.

1. This is a parts and labour warranty against faulty or defective parts, materials or workmanship in manufacturing, when the product is used and operated in accordance with the Instruction Manual.
2. This product carries a 12 month (1 year) warranty period that commences from the original date of purchase by the first user/purchaser, and is not transferable.
3. The warranty only covers use of the product to remove dry dirt and dust from flooring and other surfaces.
4. This warranty only applies to products purchased and used in Australia.
5. At all times during the warranty period, Cleanstar shall, at its sole discretion, determine whether repair, replacement or refund will apply if the product has a valid warranty claim applicable to it.
6. The repair or replacement of the product under this warranty does not extend the original period of warranty.
7. Please note that this warranty will be voided in the following cases (which are not exhaustive) and the warranty does not apply to the cost of replacing any parts of the product resulting from:
 - Accidental damage;
 - Normal wear and tear;
 - Neglect, misuse or physical abuse by the operator, including failure to properly maintain or service;
 - Any alterations, modifications or tampering with the product without the prior written consent of Cleanstar;
 - Incomplete or improper installation;
 - Incorrect, improper or inappropriate operation;
 - Insect or vermin infestation;
 - Power surges, electrical storm damage or incorrect power supply/voltage;

- Excessive use or use for which this product has not been designed;
 - Vacuuming up water, liquids, toner, powders, glass, hazardous, flammable or corrosive materials, plaster dust, concrete dust and other similar building or construction materials;
 - Failure to comply with the operating instructions contained in the Manual supplied with the product;
 - If the product is rented;
 - If the product is used outside of Australia;
 - If the product was serviced or repaired by anyone other than Cleanstar, or one of Cleanstar's Authorised Service Agents (ASA). Cleanstar is unable to accept any responsibility under this warranty for any repair work not carried out by an ASA or from the use of non-genuine parts.
8. This warranty does not cover service calls, travelling time or consumable parts such as belts, dust bags, filters, hose or hose parts, rods and wands, floor tools and accessories, motor brushes and other like consumable items, unless defective in manufacture. In order to prolong the life of accessories and consumables, regular care and maintenance is recommended.
9. Please retain your original proof of purchase which will be required before you can make a claim under this warranty. If proof of purchase can not be provided at the time of a warranty claim or service, any work carried out on the cleaner is chargeable.
10. Any transportation and delivery costs involved in the repair of defective parts shall be borne by the claimant. In all instances, unless the product is transported by Cleanstar or a Cleanstar authorised representative, the product is transported at the owner's cost and risk while in transit to and from Cleanstar or its ASA.

Our goods come with guarantees that cannot be excluded under the Australian Consumer Law. You are entitled to a replacement or refund for a major failure and for compensation for any other reasonably foreseeable loss or damage. You are also entitled to have the goods repaired or replaced if the goods fail to be of acceptable quality and the failure does not amount to a major failure. The benefits conferred by this warranty are in addition to other rights and remedies under law in respect of the product to which this warranty relates.

TO INQUIRE ABOUT MAKING A CLAIM UNDER THIS WARRANTY, PLEASE FOLLOW THESE STEPS:

- a) carefully check the Instruction Manual and the terms of this warranty;
- b) have the name and model number of the appliance available;
- c) have the proof of purchase available (ie. invoice, receipt, etc) showing where the appliance was purchased from and date of purchase;
- d) call Cleanstar on **(03) 9460 5655** to speak to one of our customer service staff.