

DYNABREEZE

TRADE QUALITY SINCE 1995

INDUSTRIAL 450MM PEDESTAL FAN

FACTORY
3 YEAR
WARRANTY



MODEL FA-23112

Instruction User Manual & Warranty



CAUTION: Read the Assembly & Safety Instructions before operating and retain for future reference

Thank you & Congratulations on the purchase of your Dynabreeze Industrial 450mm Pedestal Fan

To find out more information on this product,
please visit www.dynabreeze.com.au or contact:

Tradeware

Address 45 Birralelee Rd, Regency Park SA 5010
Phone AU 1300 658 494 NZ 0800 689 960
Email info@tradeware.com.au
Website www.tradeware.com.au

SPECIFICATIONS

Model	FA-23112
Voltage	220-240V
Frequency	50Hz
Motor Power	120W
Air Volume	120m ³ /min
Max Speed	1350 RPM
Fan Speed	3
Diameter	450mm
Product Weight	11.8KG



OPERATION CONDITIONS & SAFETY PRECAUTIONS

WARNING: When using electrical appliances, basic safety precautions should be followed to reduce the risk of fire, electric shock and injury to persons or property.

- To avoid a hazard due to instability of the appliance, it must be placed on an even, flat surface.
- Do not operate this appliance with a damaged cord or plug after the appliance has been damaged in any manner.
- Before each use, check for any damaged parts, and have it replaced or repaired by the manufacturer or a qualified electrician.
- Connect to properly grounded power outlet only. No other appliance should be plugged into the same outlet.
- Do not run the power cord over carpeting or other heat insulators. Do not cover the cord. Keep cord away from traffic areas.
- Switch off and unplug the appliance before moving, cleaning or making any repairs or servicing.
- Keep safety guards/grilles in place and do not operate the machine with them removed.

WARNING: Touching of moving blades can cause serious injury.

- Do not insert fingers or anything through the grille.
- Do not wear jewellery or loose clothing that could be caught by the rotating blades.

- Never leave the appliance running unattended, turn the power off.

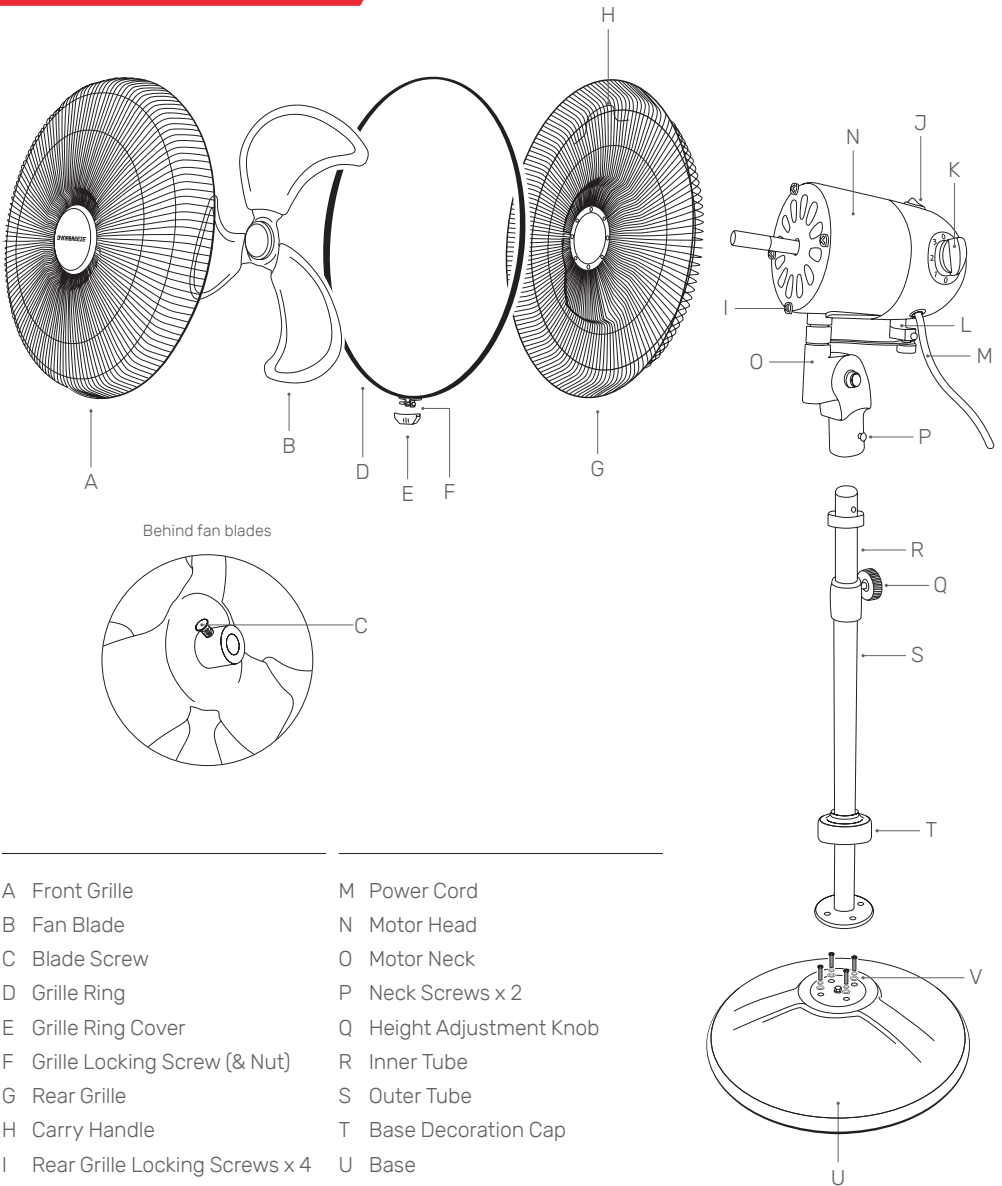
WARNING: Exercise caution and use reasonable supervision when appliance is used near children to ensure that they do not play with the appliance.

- This appliance is not intended for use by persons (including children) with reduced physical, sensory or mental capabilities, or lack of experience and knowledge.
- Keep the area around the fan clear and suitable distance from objects that may be suctioned into the fan.
- Pack away in a dry place in the original carton when not in use.

WARNING: Do not use the appliance in a bathroom or in the immediate surroundings of a bath, a shower or a swimming pool. Keep all parts away from water or any other liquids.

CLEANING: Turn off, remove any dust build up with a soft brush, wipe the surface of the unit with a damp soft cloth using a mild detergent (no harsh chemicals).

PARTS IDENTIFICATION



- | | |
|----------------------------------|-------------------------------------|
| A Front Grille | M Power Cord |
| B Fan Blade | N Motor Head |
| C Blade Screw | O Motor Neck |
| D Grille Ring | P Neck Screws x 2 |
| E Grille Ring Cover | Q Height Adjustment Knob |
| F Grille Locking Screw (& Nut) | R Inner Tube |
| G Rear Grille | S Outer Tube |
| H Carry Handle | T Base Decoration Cap |
| I Rear Grille Locking Screws x 4 | U Base |
| J Oscillation Switch | V Washer, Base Spring Washer, Screw |
| K On/Off/Speed Control Dial | |
| L Oscillation Arm | |

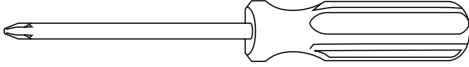
ASSEMBLY & OPERATION

SCAN QR CODE
TO REFER TO THE
ASSEMBLY &
OPERATION VIDEO



Tools required

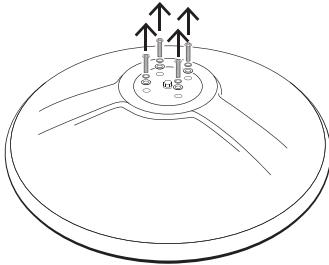
Phillips Screwdriver



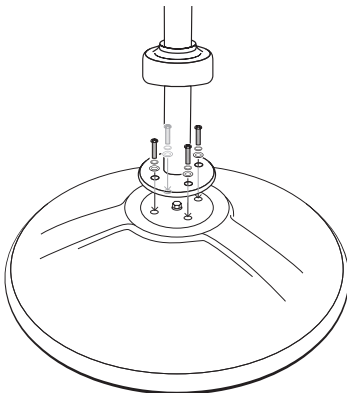
Assembling the fan

Fan Body & Motor

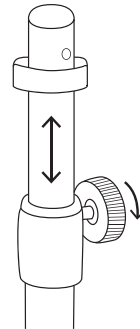
1. Place the base on the floor and remove the 4 screws, base spring washers and washers, leaving the centre screw.



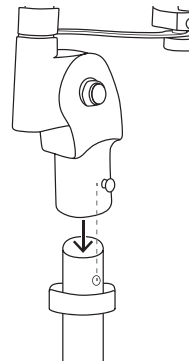
2. Align the holes at the bottom of the outer tube to the holes in the base and re-insert first the washers, the base spring washers and then the screws, screwing until tight.



3. Loosen the height adjustment knob and pull the inner tube out to the desired height and re-tighten.



4. Loosen the neck screws on the motor neck and slide it over the inner tube, aligning one of the screws to the hole and re-tighten.

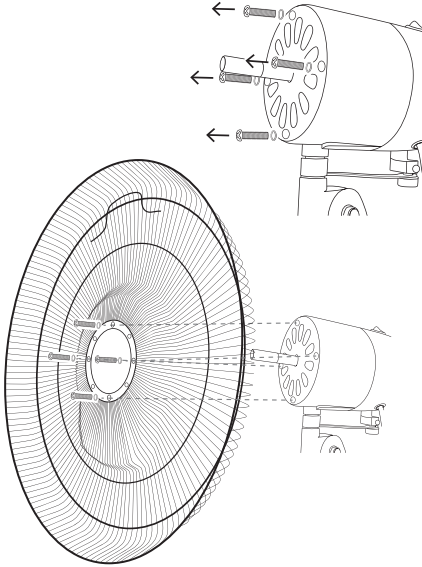


Assembling the fan cont.

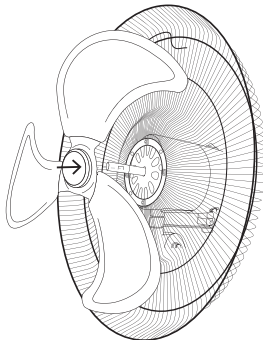
Blade & Grilles

1. Unscrew the 4 rear grille locking screws and spring washers from the motor and assemble the rear grille, ensuring the handle is at the top.

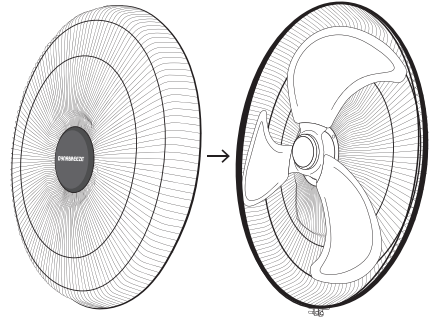
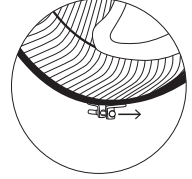
NOTE: Tighten the screws to avoid vibration noise.



2. Remove the plastic cover from the motor shaft to insert the fan blade. Align the screw on the fan blade, to the flat area on the motor shaft. Tighten the blade screw.

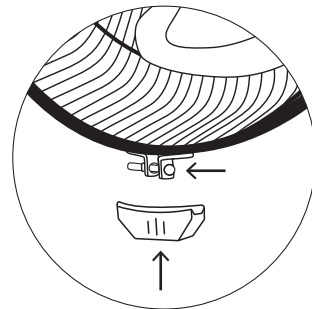


3. Loosen the grille locking screw on the grille ring and place around the rear grille. Then position the front grille into the grille ring until it fits around both grilles.



NOTE: Ensure the grille locking ring is at the bottom.

4. Tighten the grille locking screw and nut on the bottom of the grille ring and add the grille ring cover.



The fan assembly is now complete.

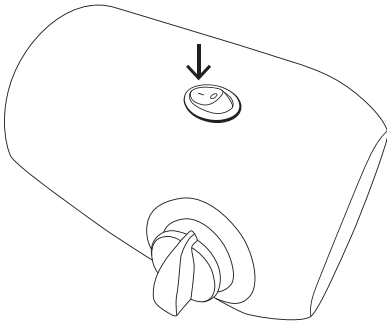
Operating the fan

To operate the fan, turn the on/off/speed control dial.

Oscillate

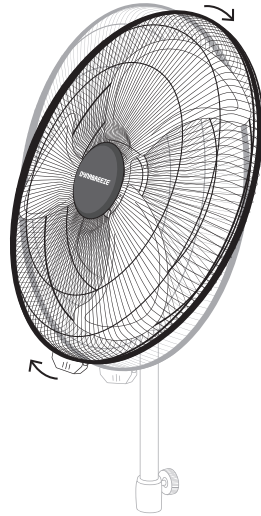
Oscillation range of 85°.

Set the oscillating switch to the "I" position to oscillate, and the "O" position to stop.



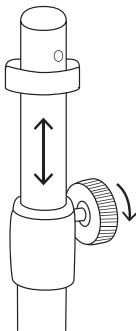
Adjustments: Vertical Tilt Adjustment

Grip the top and bottom of the grille firmly and tilt to the desired position. If too difficult, loosen the centre bolt slightly to give more flexibility and re-tighten.



Adjustments: Height Adjustment

Height can be adjusted by loosening and tightening the height adjustment knob and moving the motor head to the desired height.



WARRANTY

Under the Australian Consumer Law (ACL) or NZ Consumer Guarantees Act (CGA), you are entitled to a 12 month replacement or refund for product failure and compensation for any other reasonably foreseeable loss or damage.

Tradeware offers a 3 Year Warranty. The additional warranties, terms and conditions are outlined on the website www.dynabreeze.com.au under the Support tab.

Under Support you can also **Register your product** upon purchase and enjoy the peace of mind of knowing your product is registered should anything happen.

If the unit fails to operate efficiently, is broken or other problems arise, unplug and do not operate. Ask for advice by calling Tradeware.

To Claim, the fan should be returned to the place of purchase or via the website within the warranty period.

Such claims must include:

- Details of the alleged defect or fault;
- Evidence of the claim; and
- Proof of purchase documentation which clearly shows the date and place of purchase.

Please visit www.dynabreeze.com.au for more details



Tradeware

Tradeware

45 Birralea Road, Regency Park
South Australia 5010
info@tradeware.com.au
1300 658 494

www.tradeware.com.au